

# Technical data sheet

Product features



Cooling counter GN 1/1, 2 door, with sink and splash back, stainless steel, 230 V

<b>Model</b>	<b>SAP Code</b>	00003900
--------------	-----------------	----------

– Max ambient temperature [°C]: 43



<b>SAP Code</b>	00003900	<b>Net Weight [kg]</b>	100.00
<b>Net Width [mm]</b>	1380	<b>Power electric [kW]</b>	0.320
<b>Net Depth [mm]</b>	700	<b>Loading</b>	230 V / 1N - 50 Hz
<b>Net Height [mm]</b>	850		

# Technical data sheet

Technical drawing

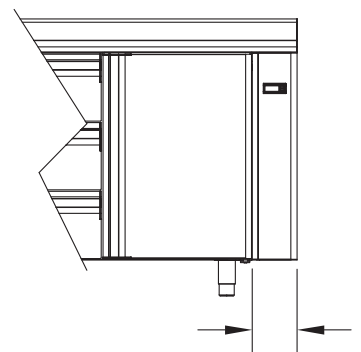
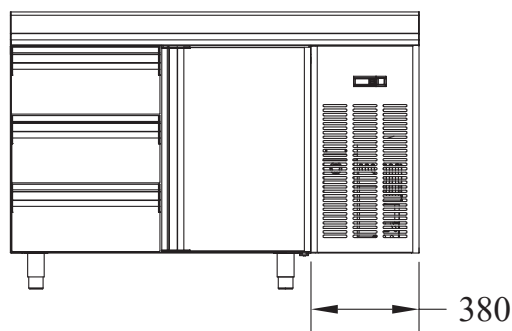
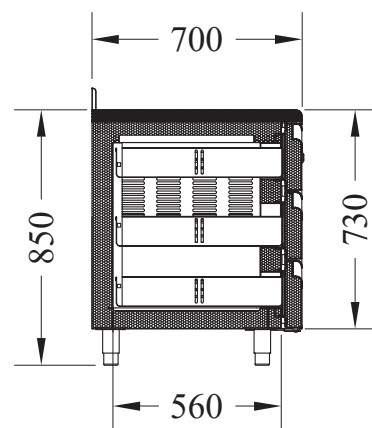
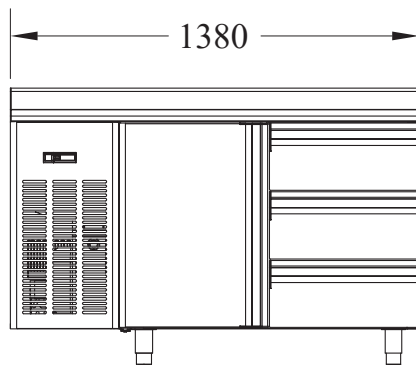
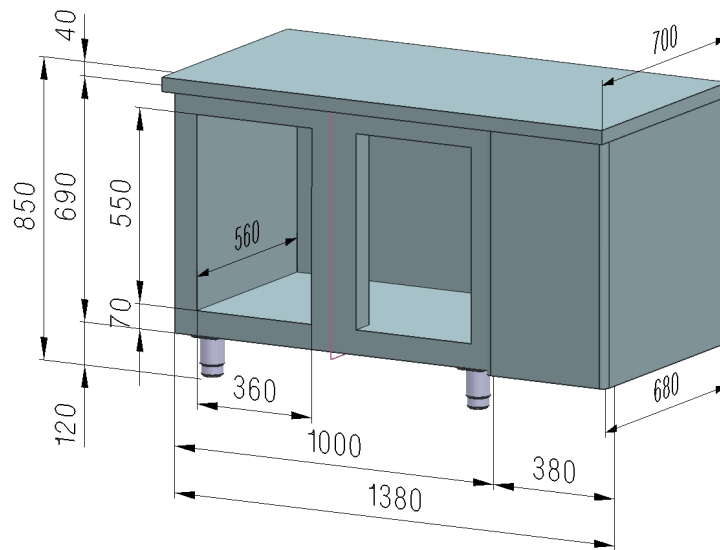


Cooling counter GN 1/1, 2 door, with sink and splash back, stainless steel, 230 V

Model

SAP Code

00003900



# Technical data sheet

Technical parameters



Cooling counter GN 1/1, 2 door, with sink and splash back, stainless steel, 230 V

Model

SAP Code

00003900

**1. SAP Code:**

00003900

**9. Gross Weight [kg]:**

120.00

**2. Net Width [mm]:**

1380

**10. Power electric [kW]:**

0.320

**3. Net Depth [mm]:**

700

**11. Loading:**

230 V / 1N - 50 Hz

**4. Net Height [mm]:**

850

**12. Min ambient temperature [°C]:**

10

**5. Net Weight [kg]:**

100.00

**13. Max ambient temperature [°C]:**

43

**6. Gross Width [mm]:**

1450

**14. Gross Volume [m3]:**

0.979

**7. Gross depth [mm]:**

750

**15. Net Volume [m3]:**

0.821

**8. Gross Height [mm]:**

900